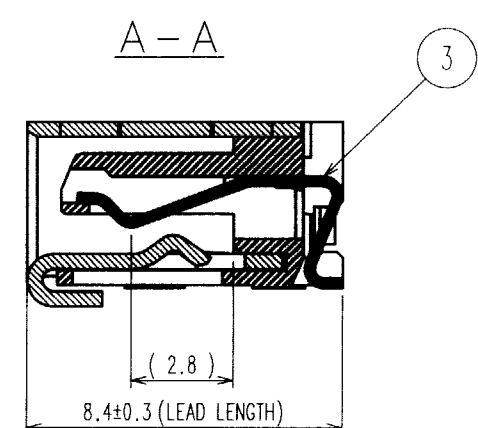
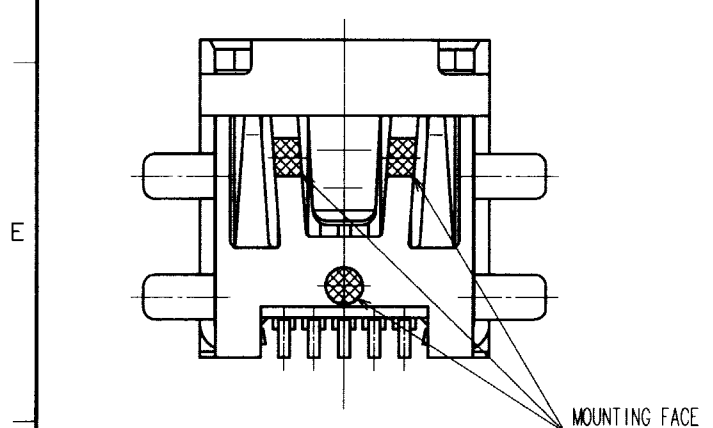
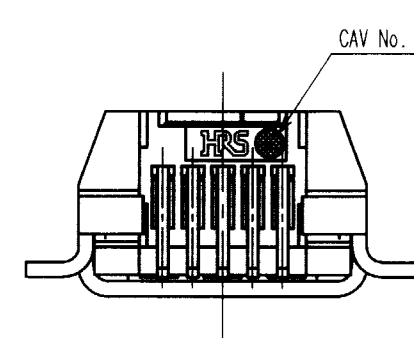
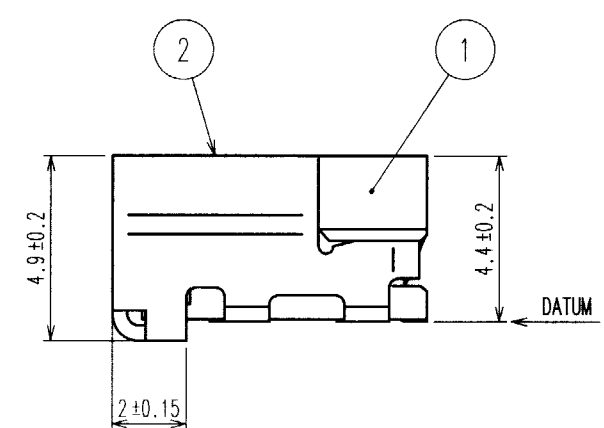
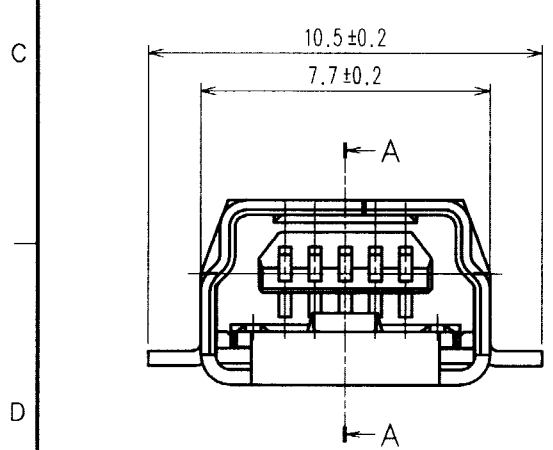
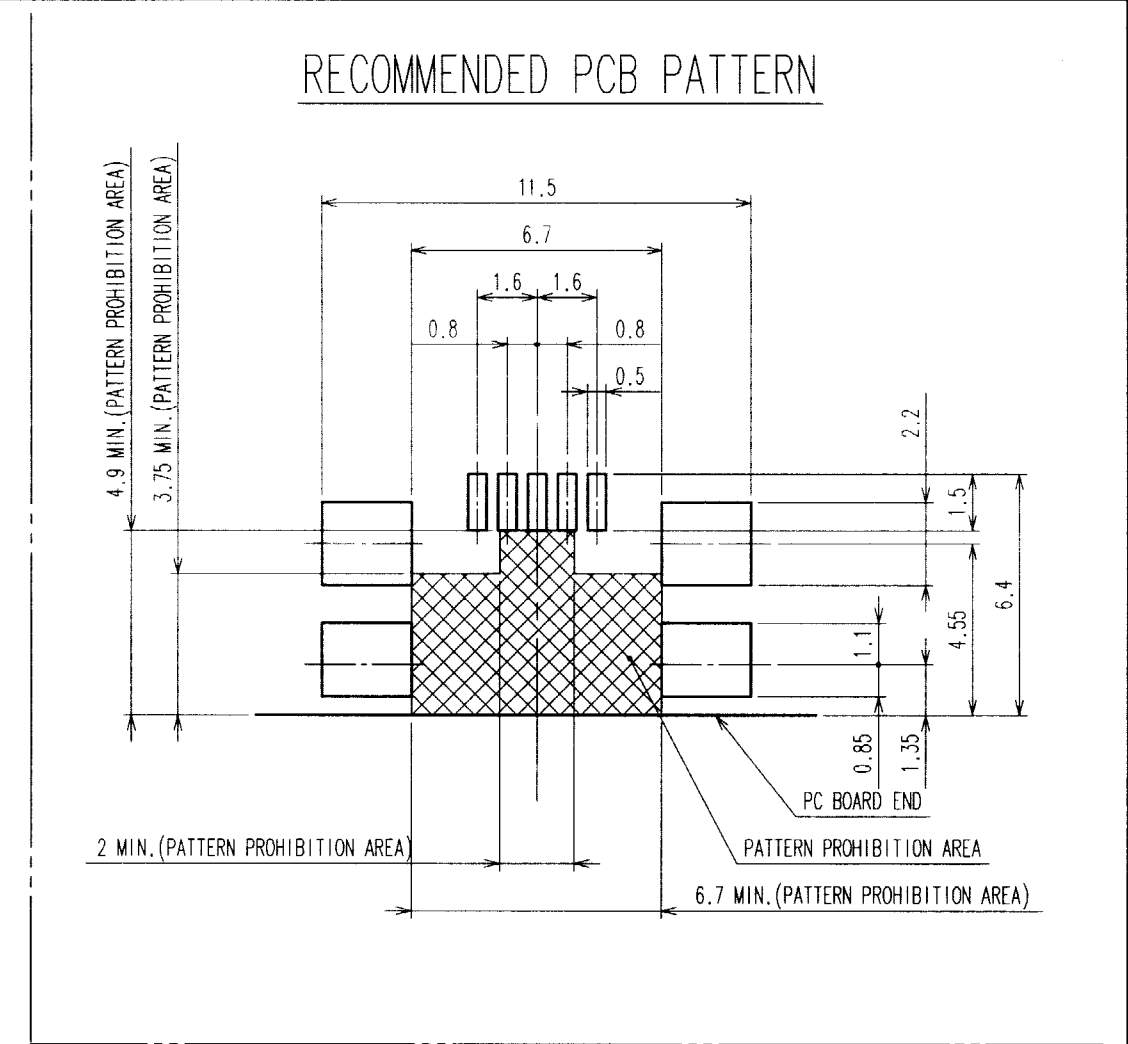
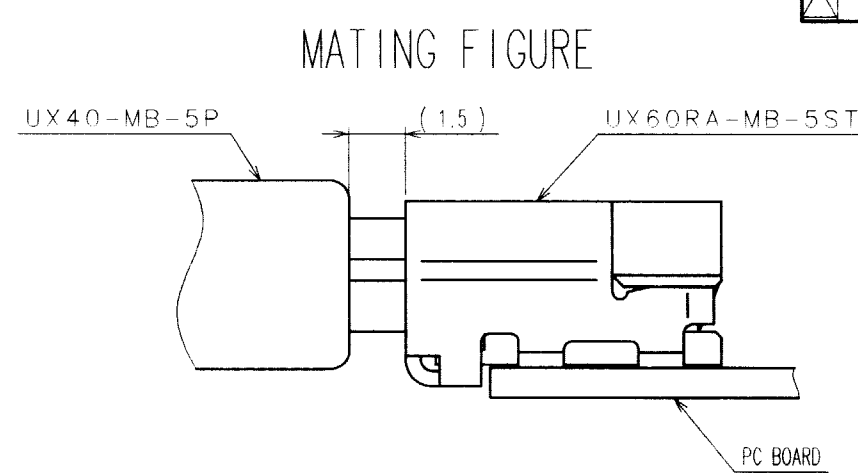
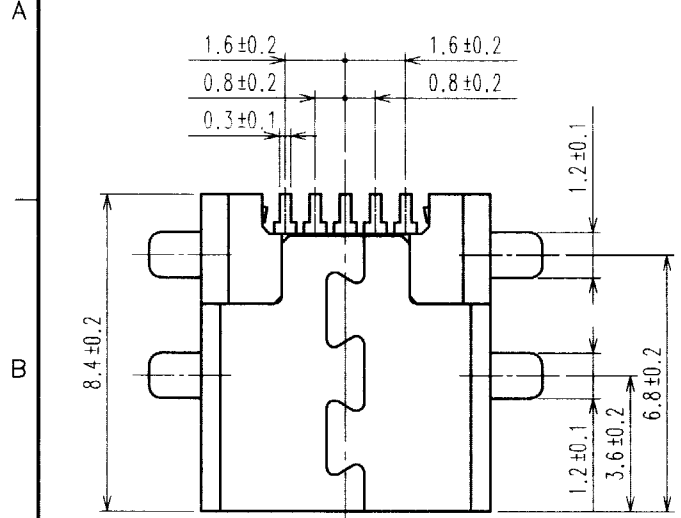


COUNT	DESCRIPTION OF REVISIONS	BY	CHKD	DATE	COUNT	DESCRIPTION OF REVISIONS	BY	CHKD	DATE
△					△				
△					△				
<b>APPLICABLE STANDARD</b>									
<b>RATING</b>	OPERATING TEMPERATURE RANGE	-30°C TO 75°C			STORAGE TEMPERATURE RANGE	-40°C TO 85°C			
	VOLTAGE	5V AC			OPERATING HUMIDITY RANGE	-% TO -%			
	CURRENT	1A			APPLICABLE CABLE	-			
<b>SPECIFICATIONS</b>									
<b>ITEM</b>		<b>TEST METHOD</b>			<b>REQUIREMENTS</b>			<b>QT</b>	<b>AT</b>
<b>CONSTRUCTION</b>									
GENERAL EXAMINATION		VISUALLY AND BY MEASURING INSTRUMENT.			ACCORDING TO DRAWING.			○	○
MARKING		CONFIRMED VISUALLY.						○	○
<b>ELECTRIC CHARACTERISTICS</b>									
CONTACT RESISTANCE		100 mA (DC OR 1000 Hz).						○	○
CONTACT RESISTANCE MILLIVOLT LEVEL METHOD.		20 mV MAX, 100 mA(DC OR 1000 Hz).			50 mΩ MAX.			○	-
INSULATION RESISTANCE		100 V DC			100 MΩ MIN.			○	○
VOLTAGE PROOF		100 V AC FOR 1min.			NO FLASHOVER OR BREAKDOWN			○	○
CAPASITANCE		MEASURE ADJACENT TWO CONTACTS AT 1000±10Hz AC VOLTAGE.			2 pF MAX			○	-
<b>MECHANICAL CHARACTERISTICS</b>									
INSERTION AND WITHDRAWAL FORCES		MEASURED BY APPLICABLE CONNECTOR.			INSERTION FORCE 35 N MAX. EXTRACTION FORCE 7 N MIN.			○	-
MECHANICAL OPERATION		5000 TIMES INSERTIONS AND EXTRACTIONS.			① CONTACT RESISTANCE: 70 mΩ MAX. ② EXTRACTION FORCE 3 N MIN. ③ NO DAMAGE, CRACK AND LOOSENESS, OF PARTS.			○	-
VIBRATION		FREQUENCY 10 TO 55 Hz, SINGLE AMPLITUDE 0.75 mm AT 2 h, FOR 3 DIRECTIONS.			① NO ELECTRICAL DISCONTINUITY OF 1 μs. ② NO DAMAGE, CRACK AND LOOSENESS, OF PARTS.			○	-
RANDOM VIBRATION		FREQUENCY 50 TO 2000 Hz, AT 15 min, FOR 3 DIRECTIONS.						○	-
SHOCK		490 m/s <sup>2</sup> DIRECTIONS OF PULSE 11 ms AT 3TIMES FOR 6 DIRECTION. HALF SINE WAVE.						○	-
<b>ENVIRONMENTAL CHARACTERISTICS</b>									
THERMAL SHOCK		TEMPERATURE -55 → 20~35 → 85 → 20~35 °C TIME 30 → 2~3 → 30 → 2~3 min UNDER 10 CYCLES,			① CONTACT RESISTANCE: 70 mΩ MAX. ② NO DAMAGE, CRACK AND LOOSENESS, OF PARTS.			○	-
HUMIDITY LIFE		TEMPERATURE -10~65 °C, HUMIDITY 90 TO 98 %, UNDER 7 CYCLES (168 h)			① INSULATION RESISTANCE: 10 MΩ MIN.(AT DRY) ② NO DAMAGE, CRACK AND LOOSENESS, OF PARTS.			○	-
CORROSION SALT MIST		EXPOSED IN 5% SALT WATER SPRAY FOR 48 h. (JIS C 5402)			① CONTACT RESISTANCE: 70 mΩ MAX. NO DAMAGE, CRACK AND LOOSENESS, OF PARTS.			○	-
SOLDERABILITY		SOLDERED AT TEMP.245°C FOR IN IMMERSION,DURATION,2~3 S.			SOLDER SHALL COVER A MINIMUM OF 95% OF THE SURFACE BEING IMMersed.			○	-
REMARKS				DRAWN	DESIGNED	CHECKED	APPROVED	RELEASED	
				<i>N. Tanaka</i>	<i>H. Tanaka</i>	<i>M. Nakamura</i>	<i>[Signature]</i>		
Unless otherwise specified, refer to USB2.0 EIA364.				03.9.9	03.9.9	03.9.9	03.9.9		
Note QT:Qualification Test AT:Assurance Test ○:Applicable Test									
<b>HS HIROSE ELECTRIC CO., LTD.</b>				<b>SPECIFICATION SHEET</b>			PART NO. <b>UX60RA-MB-5ST</b>		
CODE NO.(OLD)			DRAWING NO. <b>ELC4-124218</b>			CODE NO. <b>CL240-0007-5</b>			1 / 1



COUNT	DESCRIPTION OF REVISIONS	BY	CHKD	DATE	COUNT	DESCRIPTION OF REVISIONS	BY	CHKD	DATE
△					△				
△					△				
△					△				



- NOTES  
 1. INTERFACE DIMENSIONS CONFORM TO USB2.0 STANDARDS.  
 2. ALL 9 LEADS(5 PINS + 4 METAL FITTINGS)SMT AND CO-PLANARITY SHALL BE AS FOLLOWS.

SMT AGAINST DATUM	CO-PLANARITY
0±0.075	WITHIN 0.1

3. PER REEL:900 PIECES.

TO
Q1

NO.	MATERIAL	FINISH, REMARKS	NO.	MATERIAL	FINISH, REMARKS
2	BRASS	COPPER PLATED 1 μm + TIN PLATED 2 μm	5	PS	
1	POLYAMIDE	BLACK UL94V-0	4	PS	
			3	PHOSPHOR BRONZE	CONTACT AREA: NICKEL PLATED 1.25 μm + GOLD PLATED 0.75 μm MOUNTING AREA: NICKEL PLATED 1.25 μm + TIN-COPPER PLATED 1 μm OTHERS AREA: NICKEL PLATED 1.25 μm

CODE NO. (OLD)	DRAWN	DESIGNED	CHECKED	APPROVED	RELEASED
	<i>H. G. G.</i>	<i>H. G. G.</i>	<i>M. Nakamura</i>	<i>[Signature]</i>	
	03.9.9	03.9.9	03.9.9	03.9.9	

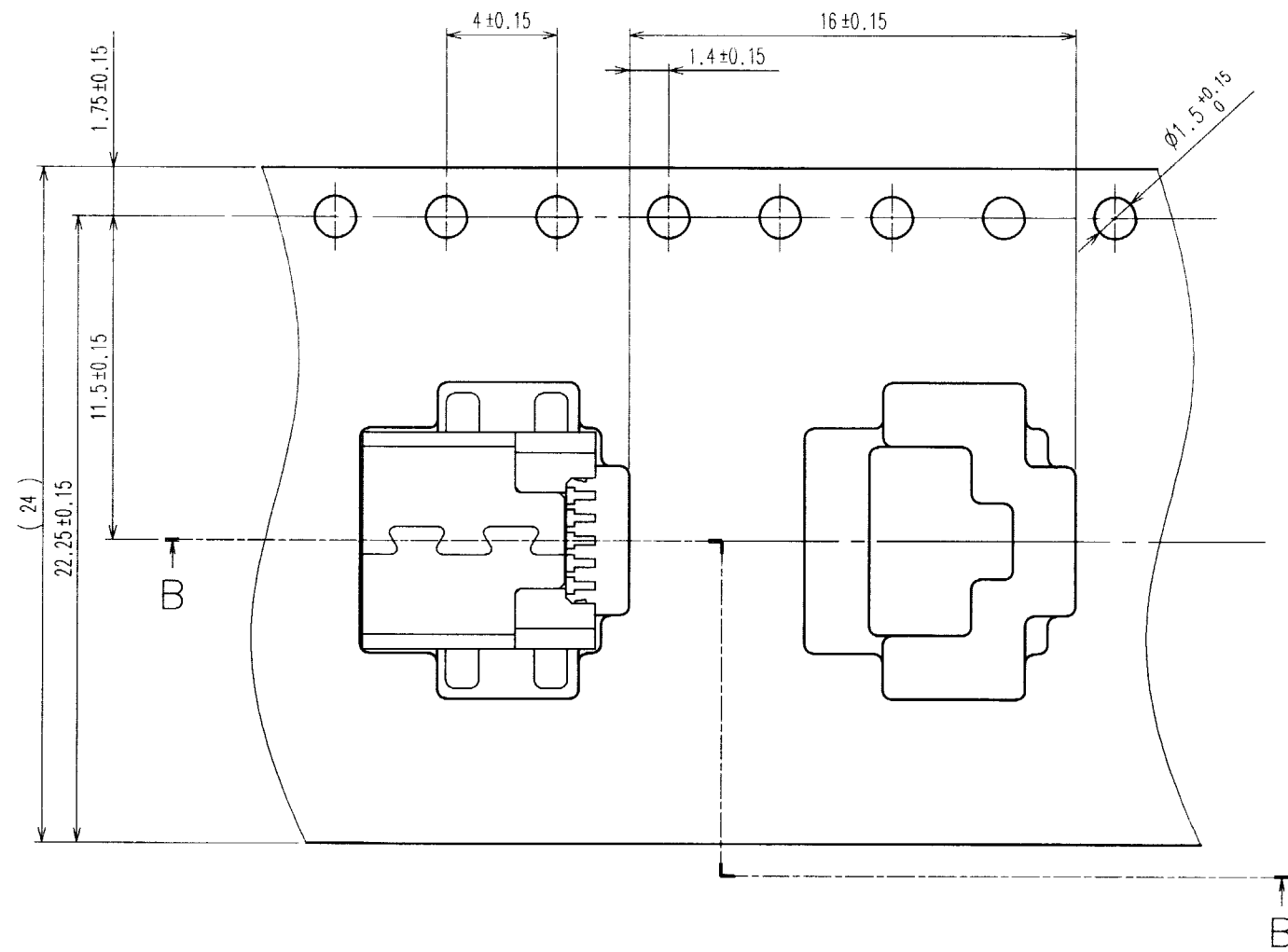
  

SCALE	DRAWING NO.	PART NO.
5 : 1	EDC3-124218	UX60RA-MB-5ST
UNITS	HRS HIROSE ELECTRIC CO., LTD	CODE NO.
mm		CL240-0007-5

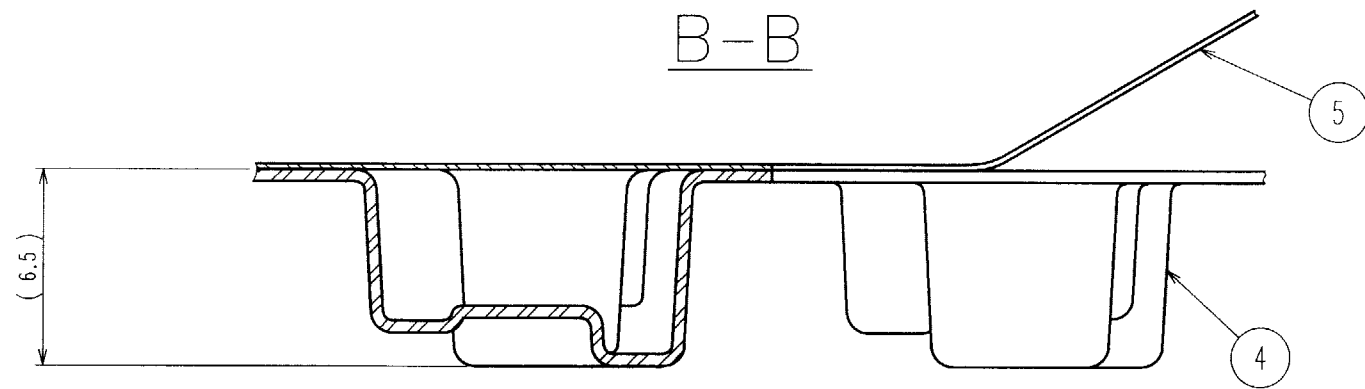
# DRAWING FOR PACKING

UNREELING DIRECTION →

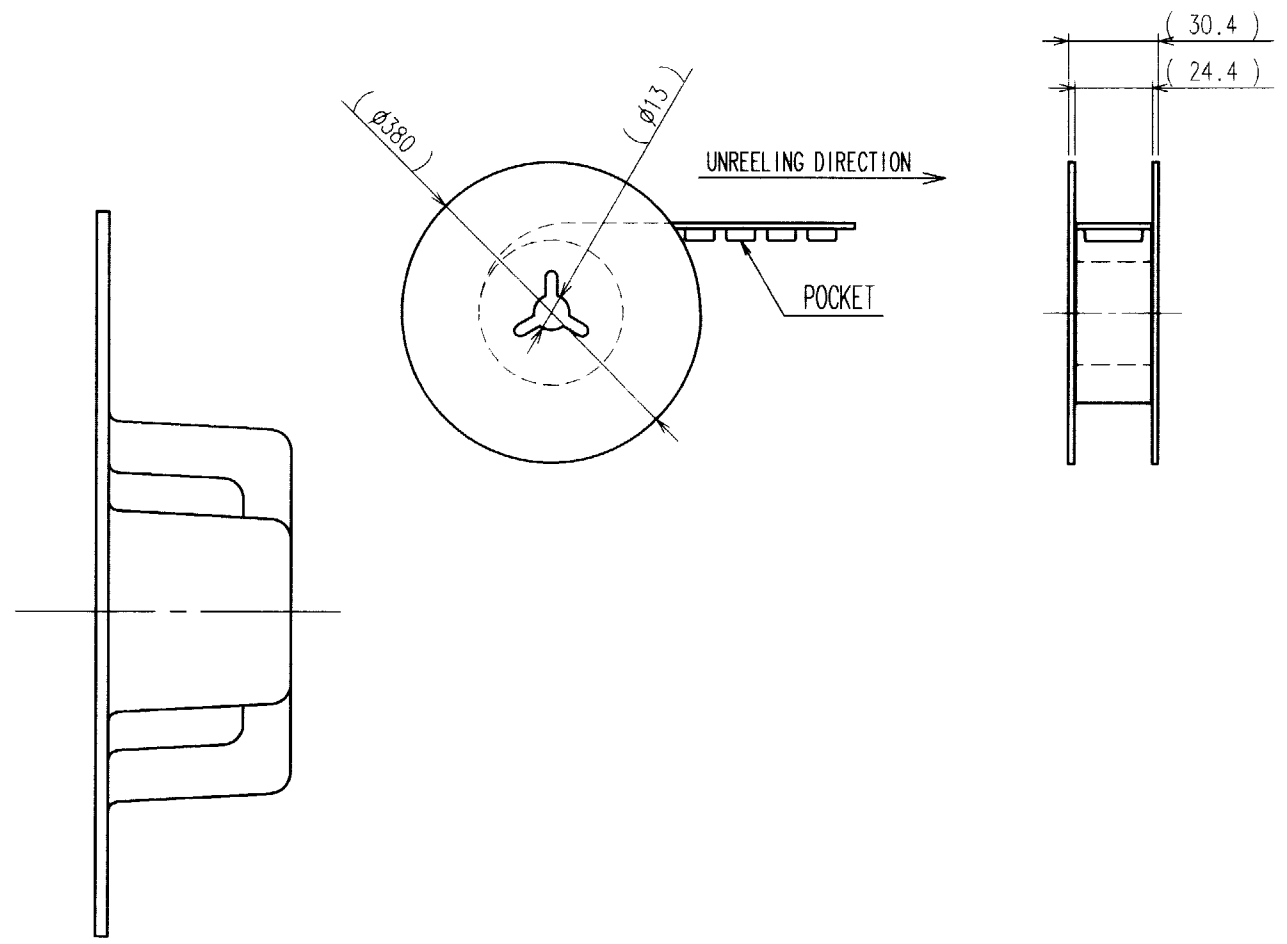
PACKAGING CONDITION(FREE)



B-B



5				6				7				8			
COUNT	DESCRIPTION OF REVISIONS	BY	CHKD	DATE	COUNT	DESCRIPTION OF REVISIONS	BY	CHKD	DATE	COUNT	DESCRIPTION OF REVISIONS	BY	CHKD	DATE	
△					△					△					
△					△					△					
△					△					△					



TO
Q1

NO.	MATERIAL	FINISH, REMARKS	NO.	MATERIAL	FINISH, REMARKS
CODE NO. (OLD)			DRAWN	DESIGNED	CHECKED
			<i>H. Yamada</i>	<i>H. Yamada</i>	<i>M. Nakamura</i>
			03.9.9	03.9.9	03.9.9
			APPROVED	RELEASED	
			<i>[Signature]</i>		
			03.9.9		
DRAWING NO.			PART NO.		
EDC3-124218			UX60RA-MB-5ST		
SCALE			CODE NO.		
4 : 1			CL240-0007-5		
UNITS			2/2		
mm			HRS HIROSE ELECTRIC CO., LTD		